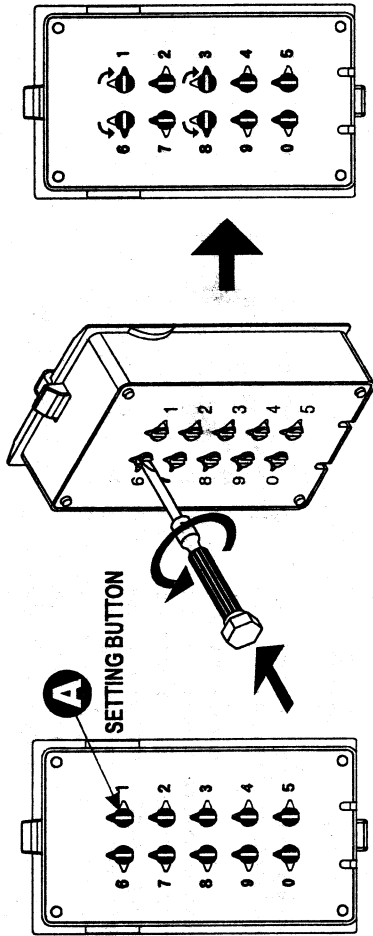




HOW TO SET YOUR OWN NUMBER:

10 DIGIT KEY SAFE IS NOT SET WHEN IT LEAVES THE F ACTORY
SO IT CAN BE OPENED WHEN YOU SLIDE THE LATCH (B)

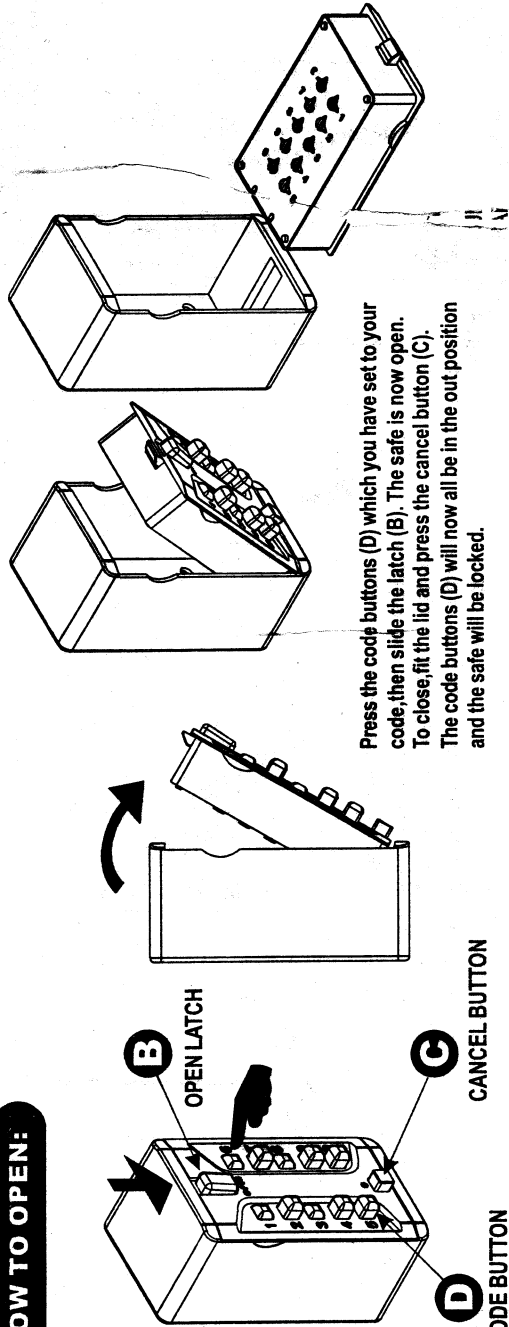


You can set one to ten numbers (marked A on the instructions). Firstly, choose a code number. Secondly, insert a screwdriver into the slot on your chosen code button (marked A on the diagram) turn the screwdriver so the arrowhead points at the number you wish to set. That number is now set. Repeat for the remaining numbers of your code. Now the safe is ready to use.

Please note the code can be entered in any order i.e 1-3-6-8, 1-6-8-3 etc. and the safe will still open

For example the code is set at 1-3-6-8 on the instruction sheet

HOW TO OPEN:



Press the code buttons (D) which you have set to your code, then slide the latch (B). The safe is now open. To close, fit the lid and press the cancel button (C). The code buttons (D) will now all be in the out position and the safe will be locked.