

# CARD Reader/Encoder

# E3

User Manual

## CARD Reader/Encoder E3

Model :	E3
Dimensions :	70mm x 70mm x 26mm
Power interface :	Type-C USB
Power input :	5V/500mA
Radio frequency:	13.56Mhz
Support card type:	MiFare S50

### Light/sound status



Light:

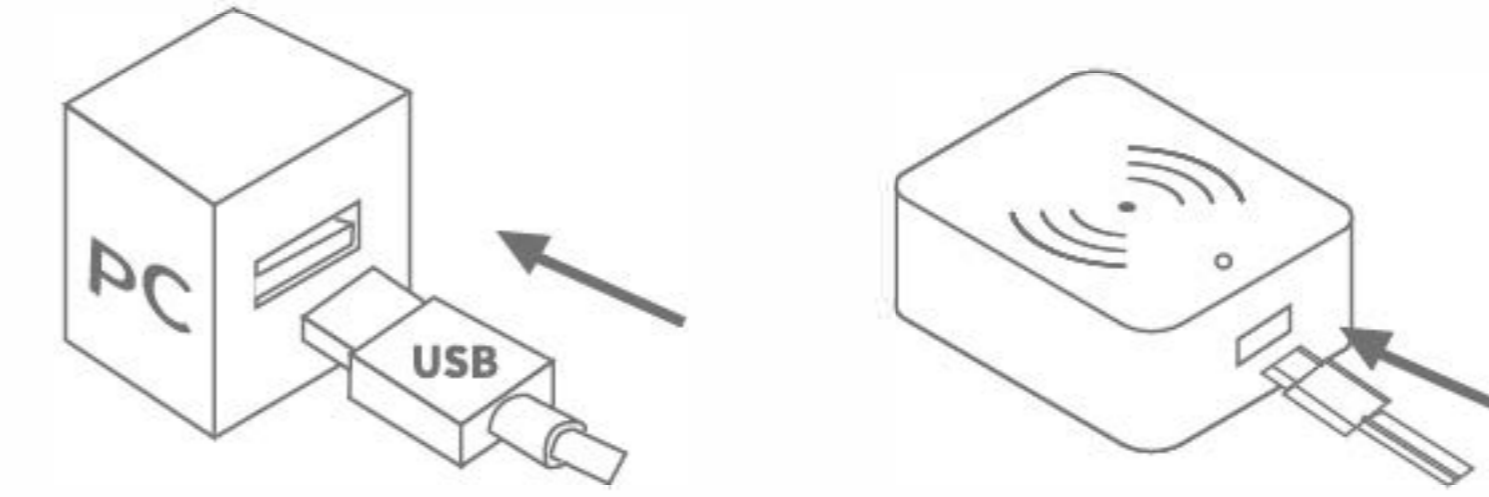
- Green light indicates: Card Encoder Mode
- Blue light indicates: Card Reader Mode

Sound:

- 🔊 One short Beep indicates successful operation

### Steps:

- 1 Connect the USB cable with PC
- 2 Plug the USB into the card encoder



- 3 Follow the instructions of the software to use the Encoder

### Disclaimer

We continuously optimize products as new technologies and features are developed. For this reason, we reserve the right to make alterations to the products without prior notice.

# Kortlæser

# E3

Manual

## Kortlæser

Model:	E3
Mål:	70mm x 70mm x 26mm
Strømgrænseflade:	Type-C USB
Strømindgang:	5V/500mA
Radiofrekvens:	13.56Mhz
Korttype:	MiFare S50

## Lys/lydindikator



Lys:

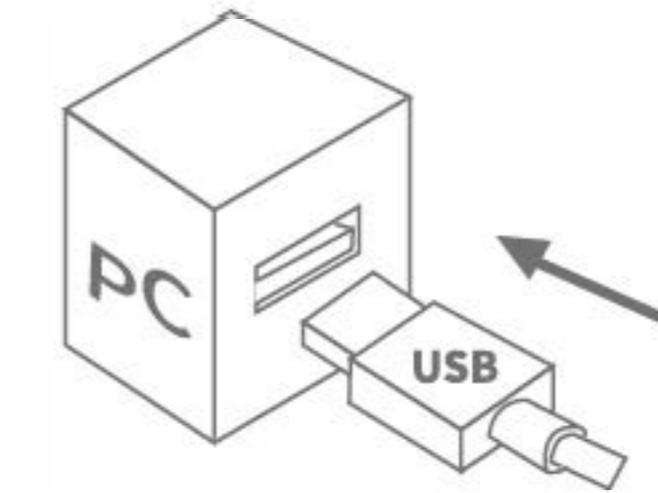
- Grønt lys: Kortkodningstilstand
- Blåt lys: Kortlæsningstilstand

Lyd:

- 🔊 Et kort "bip" indikerer en succesfuld aktion

## Vejledning

- 1 Tilkobl USB-kablet til PC'en
- 2 Tilslut USB'en til kortlæseren



- 3 Følg softwareinstruktionen for at benytte kortlæseren

### Disclaimer

We continuously optimize products as new technologies and features are developed. For this reason, we reserve the right to make alterations to the products without prior notice.