

GATEWAY

G3

User Manual

GATEWAY G3

Model :	G3
Dimensions :	70mm x 70mm x 26mm
Network port interface :	RJ45
Network port rate :	10M
IEEE standard :	802.3
Power interface :	Type-C USB
Power input :	5V/500mA

Light Status



When the Gateway is powered on:

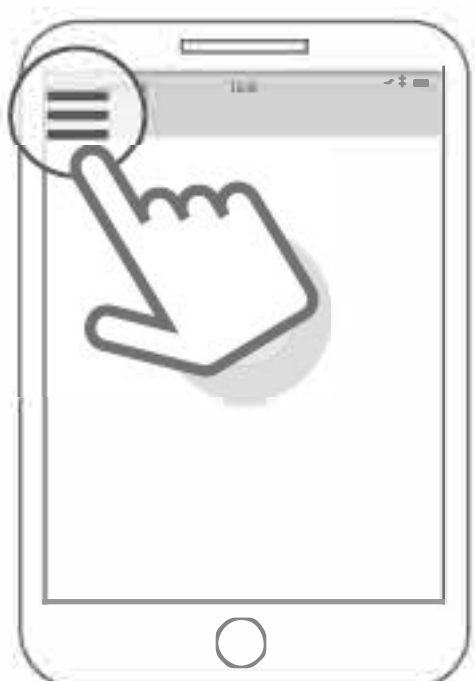
- Flashing Red/Blue lights: Stand-by mode - Ready to Pair
- Blue light: Normal mode
- Red light: Network failure

Pair the Gateway with APP

Open the APP



Tap the “☰” icon on the top left of the screen



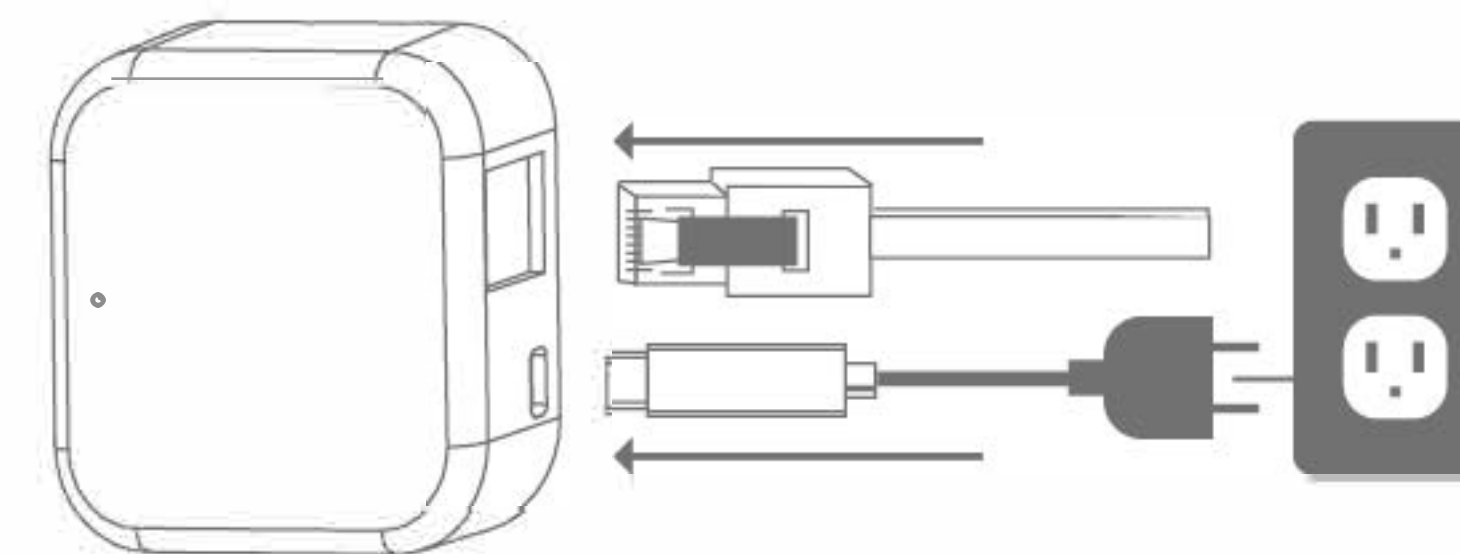
Select [Gateway]



Select [G3]



Power on the gateway and plug in the internet cable



Tap “Next step” when the red and blue light flash alternatively



Tap “+” to add the gateway



⚠ Notice: If the above process times out, please power off and try again.

Disclaimer

We continuously optimize products as new technologies and features are developed. For this reason, we reserve the right to make alterations to the products without prior notice.

GATEWAY

G3

Manual

GATEWAY G3

Model:	G3
Mål	70mm x 70mm x 26mm
Netværkstik:	RJ45
Netværksport rate:	10M
IEEE standard:	802.3
Strømgrænseflade:	Type-C USB
Strømindgang:	5V/500mA

Lysindikator

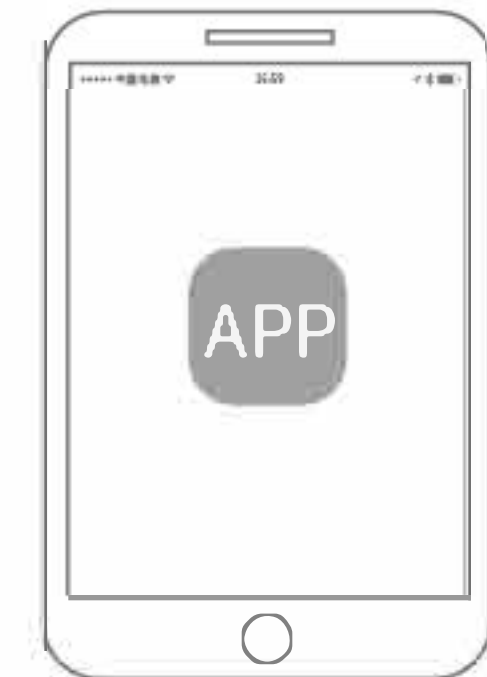


Når gatewayen er tændt:

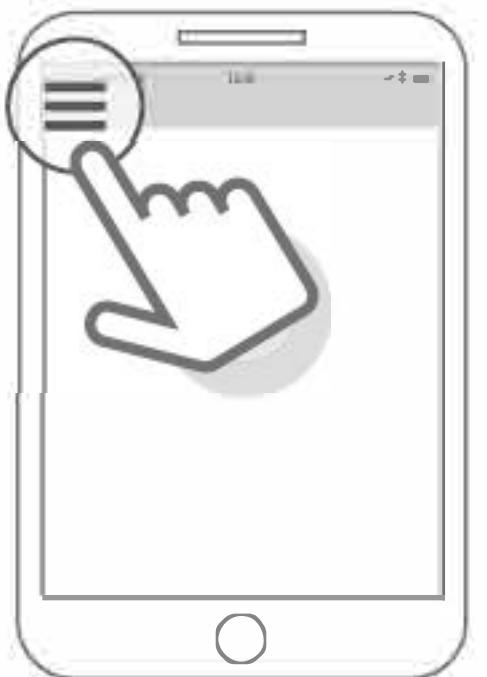
- Lys blinker skiftevis i rødt og blåt: Standby-tilstand, klar til paring
- Blåt lys: Arbejdstilstand
- Rødt lys: Netværksfejl

Par gatewayen med APP

Åben TLock APP



Klik på "☰" ikonet øverst på venstre side af skærmen



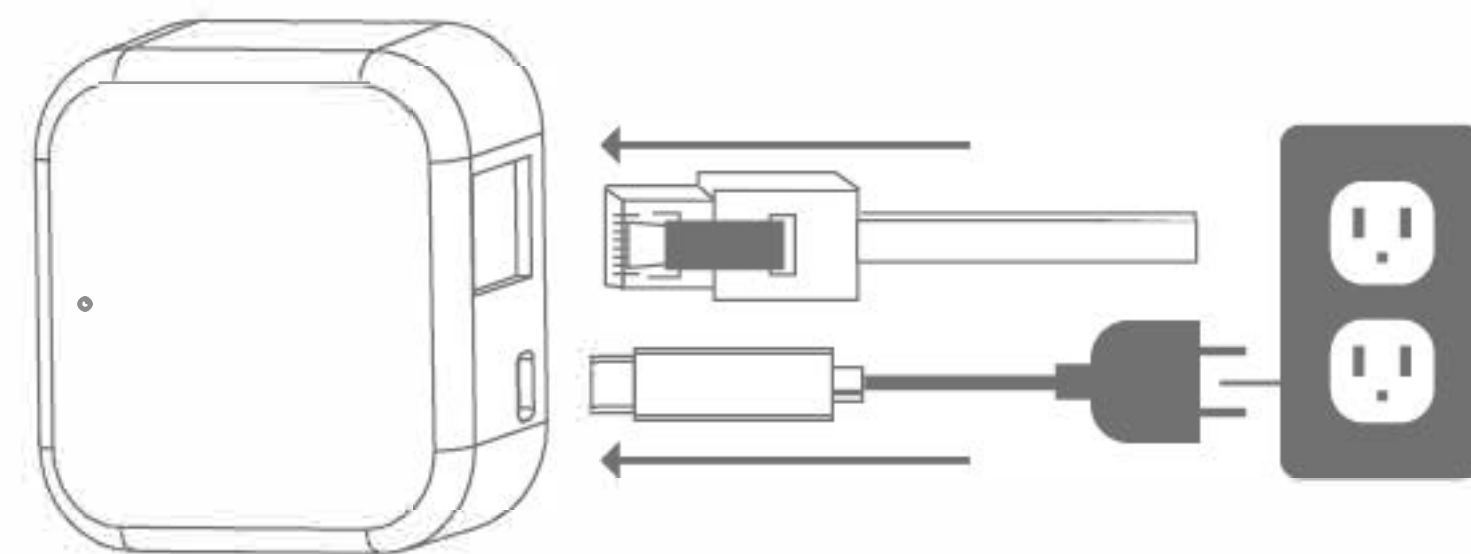
Vælg [Gateway]



Vælg [G3]



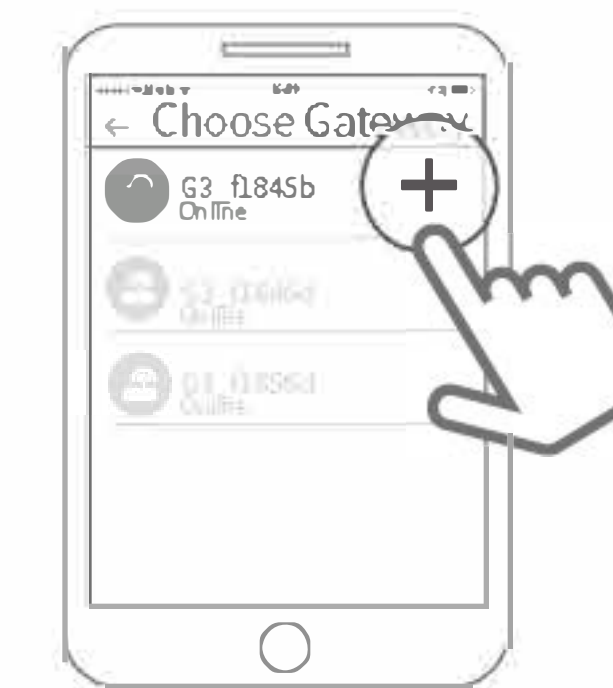
Tilslut gatewayen, og sæt netværkskablet i



Klik på "Next" når lyset blinker skiftevis i rødt og blåt



Klik på "+"-tegnet for at tilføje gatewayen



⚠ Bemærk: Hvis timeout, sluk venligst og prøv igen

Disclaimer

We continuously optimize products as new technologies and features are developed. For this reason, we reserve the right to make alterations to the products without prior notice.