

Smart Lock User's Manual
User's manual

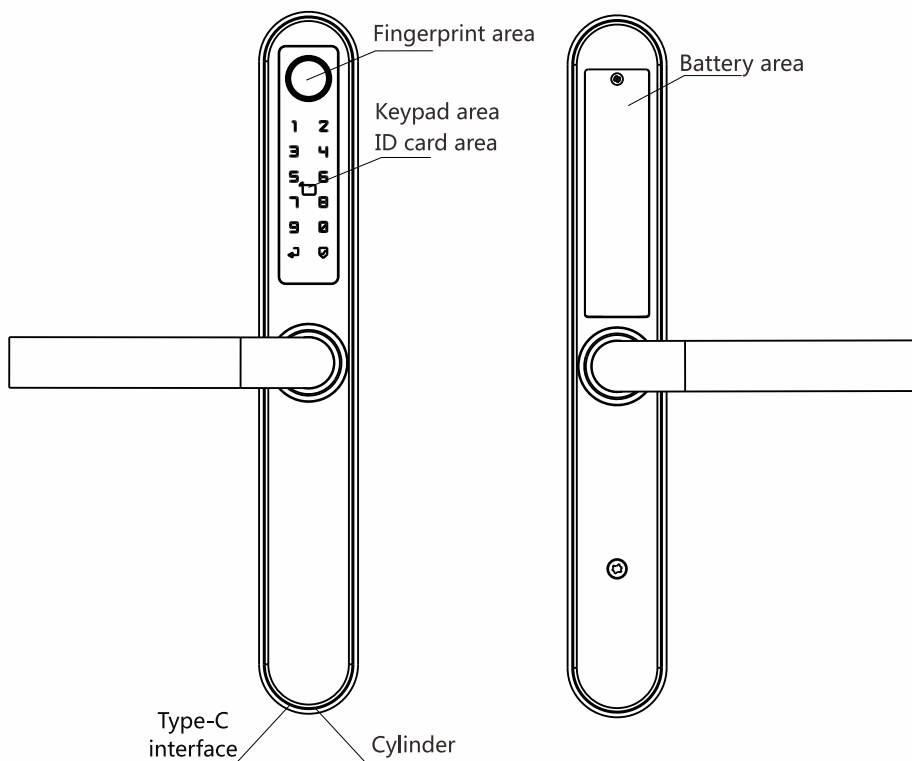
1 Instructions For Use And Product Drawings

Dear user ,thank you for using this smart lock. Before you install and use it ,please check the list of Accessories carefully. Please read the installation instructions and follow its steps, otherwise we will not be responsible for any hazards or damages.

⚠ Important Notes: Please read and set the function according to the specific product model.

1. When low battery alarm, please replace the same type of battery in time and pay attention to the positive and negative pole installation to ensure the normal use of the lock.(New and old batteries cannot be used at the same time)
2. Please keep the mechanical key with you when not in use and do not keep it indoor.

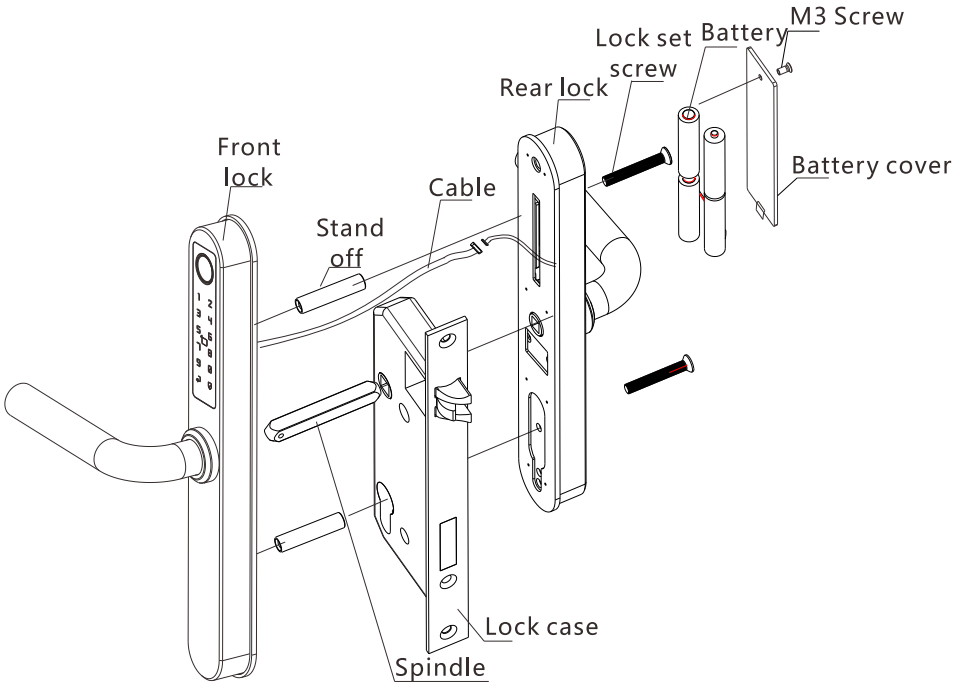
Product figure



2 Product List/Method of moving battery cover

Please check carefully according to the following list after unpacking the package. If you find any missing, please contact us or the agent in time.

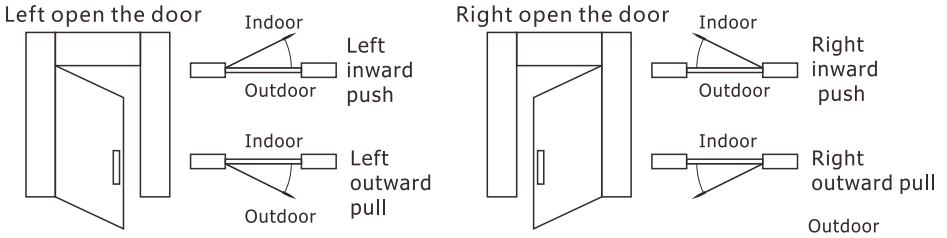
No.	Name	Quantity	Notes
1	Outer panel(including silicone pad)	1	
2	Rear panel (including silicone pad)	1	
3	IC card	2	
4	Installation kit	1	
5	User manual	1	



3 Notice before installation

3.1 Please confirm the door open direction before installation

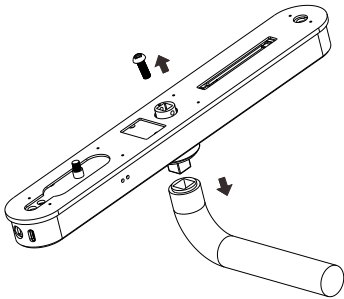
The smart lock can be applied to four types of doors opening direction: left pull, left push, right pull, right push.



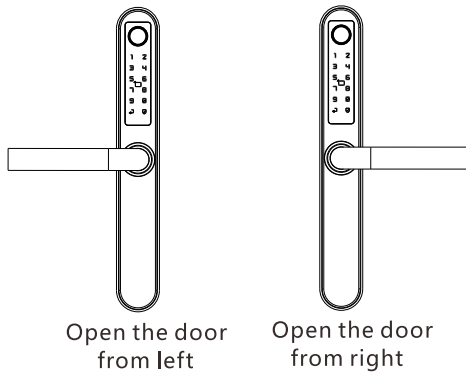
Facing the door :

1. You should adjust the door lock opening direction to left when the hinge is on the left side.
2. You should adjust the door lock opening direction to right when the hinge is on the right side.

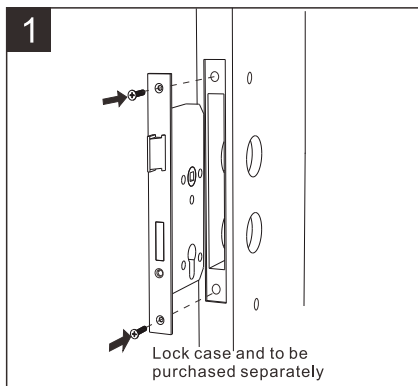
3.2 Changing the direction of handle



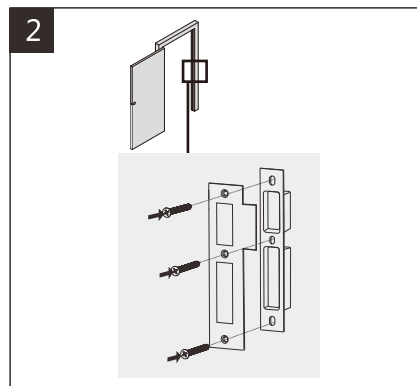
To change the direction of the handle, using cross screwdriver to loosen the screw , removing the handle, adjusting the handle according to the required direction, and then tighten the handle with a screw.



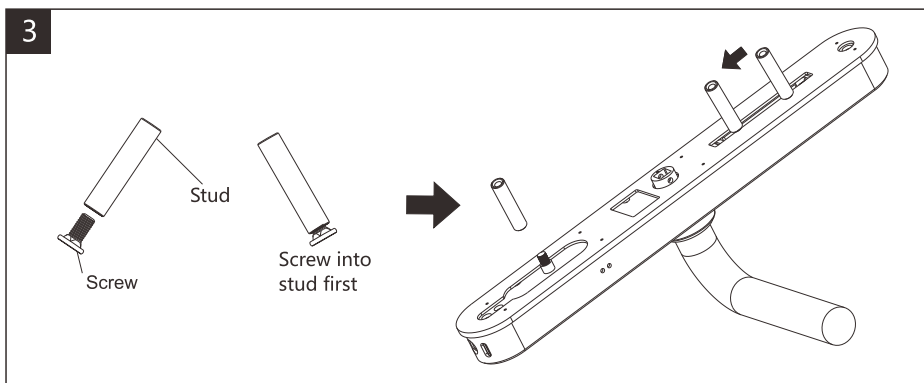
4 Installation steps



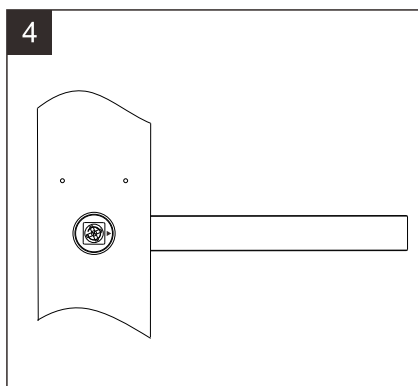
Install the lock case



Installation the Strike plate and the box

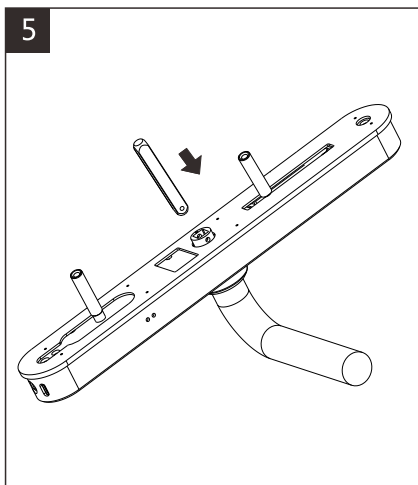


Fix the stud onto the front lock and adjust the upper screw to the corresponding position on the plate according to the hole position.

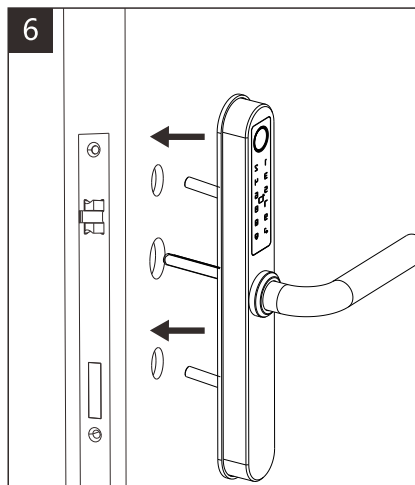


Adjust the direction of the handle for the front lock, fix the bolts, and then turn the square axis with a triangle indicating that the arrow is facing towards the direction of the handle

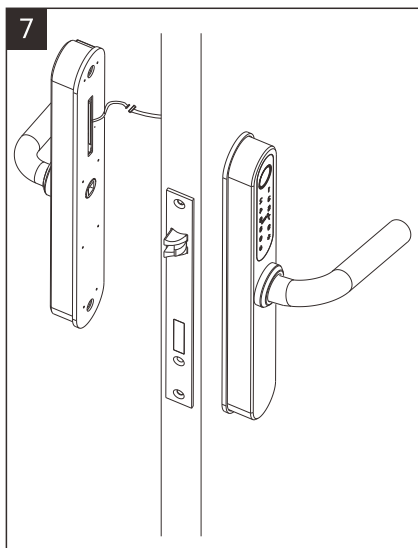
4 Installation steps



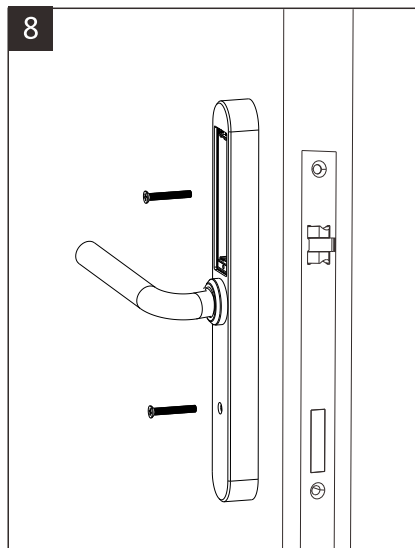
Insert the spindle into the spindle hole and make the dowel pin on the square rod. Stuck in the square shaft holes



Install the front lock

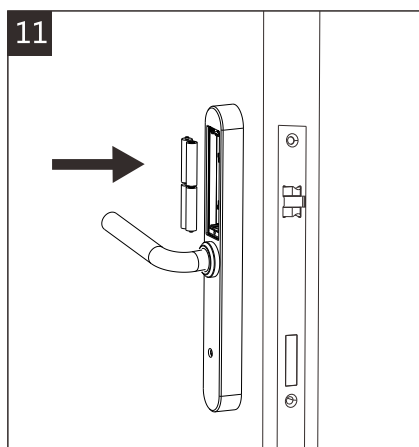


Insert the cable of the lock

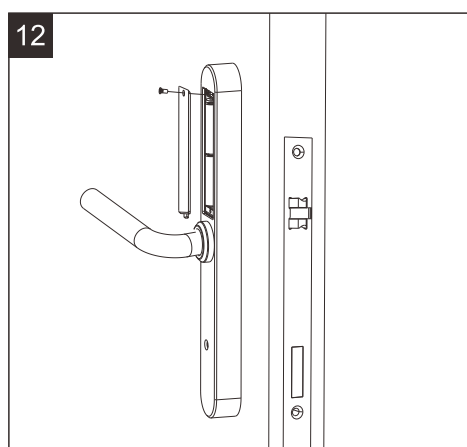


Secure the front and rear locks with setting screws

4 Installation steps



Installation the batteries



Close the battery cover and install the glue plug


5 Performance parameter

Bluetooth standard	Bluetooth	
Supported mobile phone systems	Above ANDROID4.3/IOS7.0	
Power Operated	4 alkaline ,USB power charge	
Low battery alarm	4.8V	
Voltage range	4.5~6V	
Standby current	89 microamp	
Electrical current	< 200microamp	
Temperature Range	-20~70°C	
Type of button	Capacitive touch button	
Password quantity	Custom and Permanent Passwords	250
	Other dynamic passwords	Unrestricted
Type of card	MIFARE M1 card	
IC card quantity	1000 sheets	
Unlock	APP/ password IC card/ fingerprint/remote control	
Fingerprint capacity	100 pieces (according to actual usage model to adjust)	
False accept rate(FAR)	< 0.001%	
False rejection rate(FRR)	< 1.0%	

6 Programming Instructions

Information & Safety Warnings

- Protect your User Codes and Master Code.
- Restrict access to your lock's interior assembly and routinely check your settings to ensure they have not been altered without your knowledge.
- This lockset is designed to provide the highest standard of product quality and performance. Care should be taken to ensure a long-lasting finish. Using a soft and damp cloth to clean. Using lacquer thinner, caustic soaps, abrasive cleaners or polishes could damage the coating and result in tarnishing.

 **IMPORTANT: Do not load batteries until lock is completely installed.**

1. Master Code(6 to 8 digits) : The default Master Code is 123456. It is required that you change it to a code of your own before programming.

2. User Code(6 to 8 digits) : A total of 200 User Codes may be programmed.

Definitions

Master Code

Required for programming and feature settings. Master code can be used to unlock the door under vacation mode. The default master code needs to be changed before programming.

Wrong Entry Limit

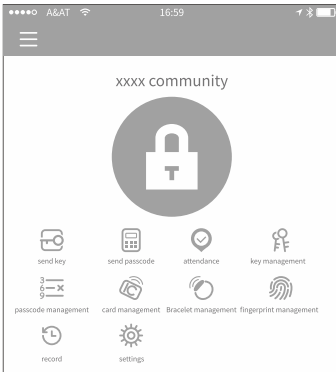
After 5 unsuccessful attempts at entering a valid PIN code, the unit will shut down for 5 minutes.

Unlock with Fake code

User can prevent pin code exposure from strangers by entering random digits before or after pin code.



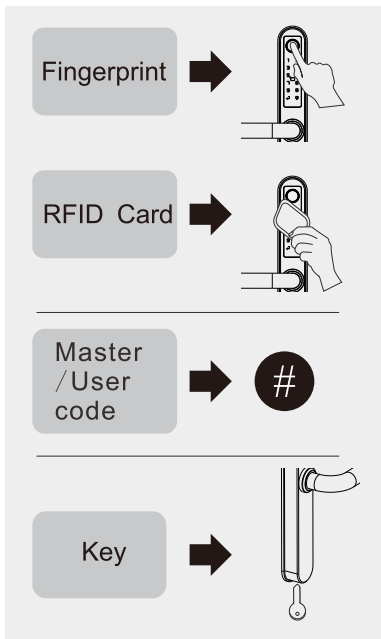
How to use



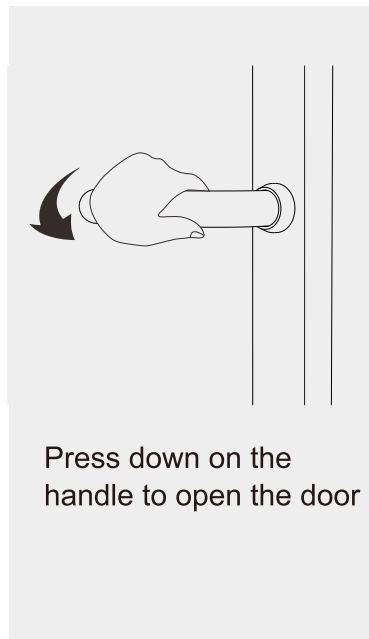
Via APP: Touch to unlock from outside or inside, long press to lock from outside or inside.

Note: Please keep your phone near the door lock within 10 meters.

UNLOCK the door from outside



UNLOCK the door from inside



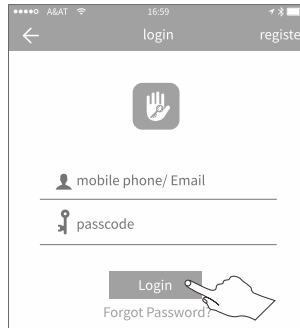
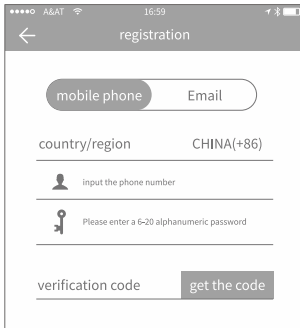
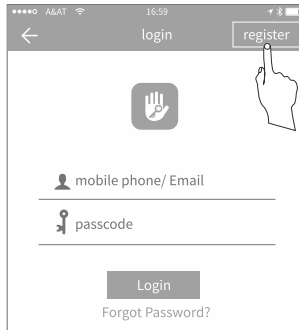
APP Guide

A Dwonload APP "TTLock "



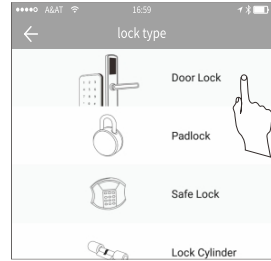
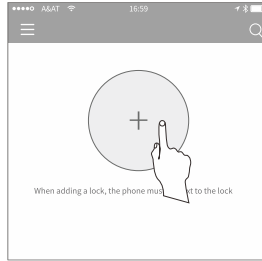
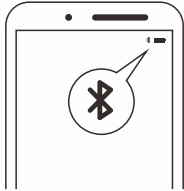
Android Mobile Phone--Search "TTLock" from Google Play.
Apple Mobile Phone--please search "TTLock" from App Store.

B Register a new account(phone number or email)

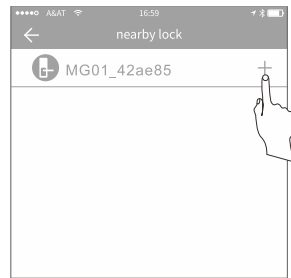
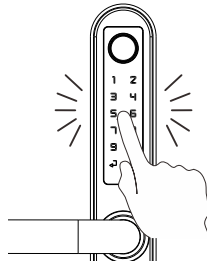
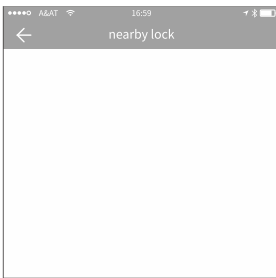


C Lock adding

- a Turn on Bluetooth and enter the interface of adding lock in app.



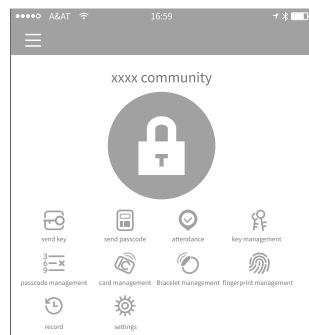
- b Light up the screen and add the lock



Note: Please keep your phone near the door lock within 10 meters.

D Key management

After the administrator successfully adds the lock, owner owns the highest administrative rights to the lock. Owner can send keys to others. Meanwhile owner can increase the key management that is about to expire.

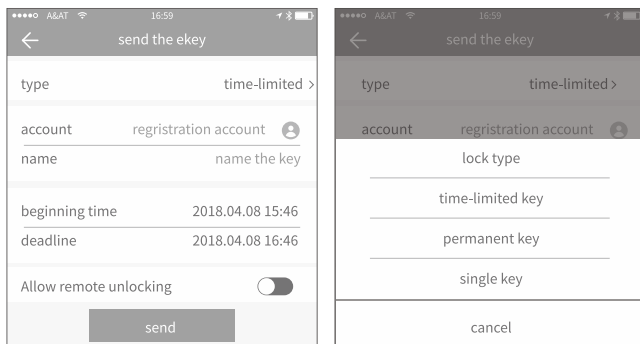


Click the type of lock it will show the time-limited ekey, one-time ekey and permanent ekey.

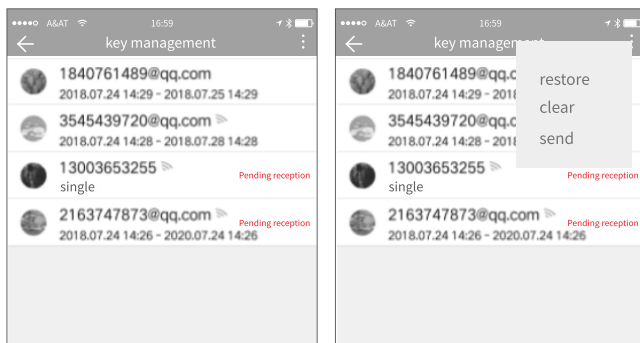
Time-limited ekey: The ekey is valid for the specified time.

Permanent ekey: The ekey can be used permanently.

One-time ekey: The ekey will be automatically deleted once it has been used.



The manager can delete ekey, reset ekey, send and adjust the ekey, meanwhile he can search the lock record.

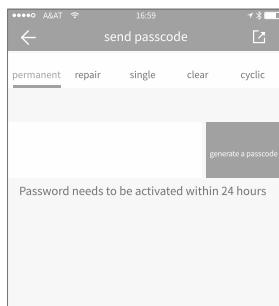


F Passcode management

After inputting the passcode on the keyboard of the lock, press the unlock button to unlock. Passcodes are classified into permanent, time-limited, one-time, empty, oop, custom, etc.

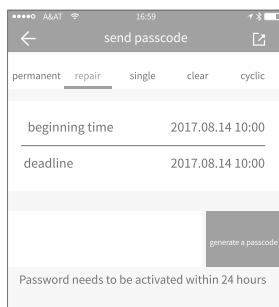
a Permanent passcode

The permanent passcode must be used within 24 hours after it is generated, otherwise it will automatically expire.



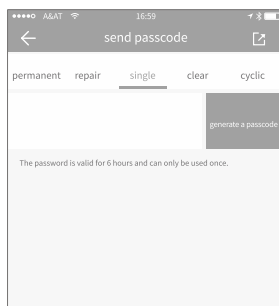
b Time-limited passcode

The time-limited passcode can own an expiration date, which is a minimum of one hour and a maximum of three years. If the validity period is within one year, the time can be accurate to the hour; if the validity period is more than one year, the accuracy is month. When the time-limited passcode is valid, it should be used within 24 hours, otherwise it will automatically expire.



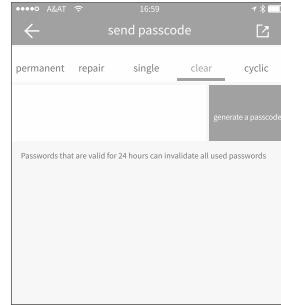
c One-time passcode

One-time passcode can only be used for onetime, and which is available for 6 hours. It will automatically expire.



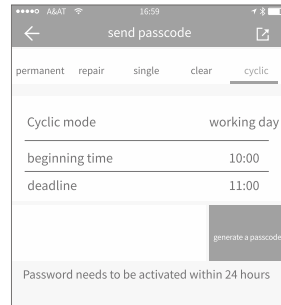
e Clear code

Clear code is used to delete all the passcodes the lock has set, and which is available for 24 hours.



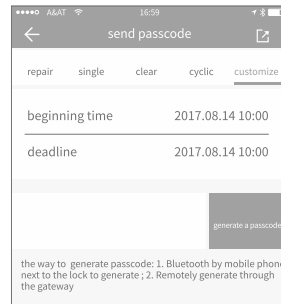
f Cyclic passcode

The cyclic password can be reused within a specified time period, including daily type, weekday type, weekend type, and more.



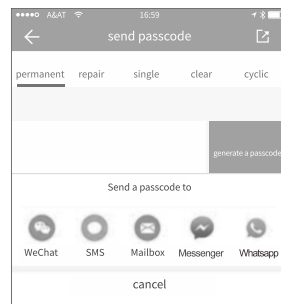
g Custom passcode

User can set any passcodes and validity period he wants.



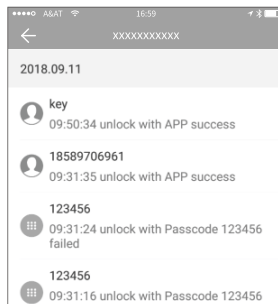
h Passcode sharing

The system add new communication ways of Facebook Messenger and Whatsapp to help users share the passcode.



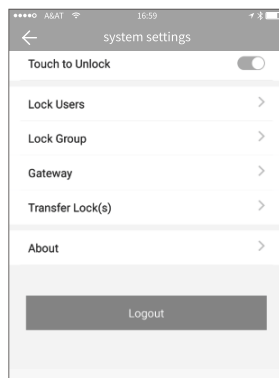
H Records

It can record when the people come or leave. For 24/7 access logs, get all records about the door unlock/ lock anytime and anywhere.



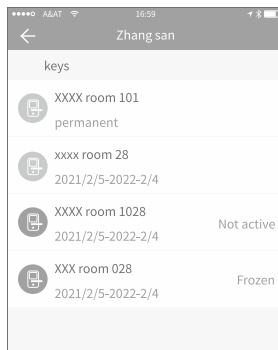
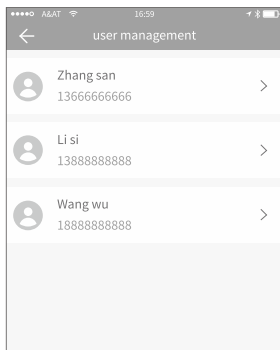
I Setting

In the system settings, it includes touch unlock switch, group management, gateway management, security settings, reminder, transfer smart lock and so on.



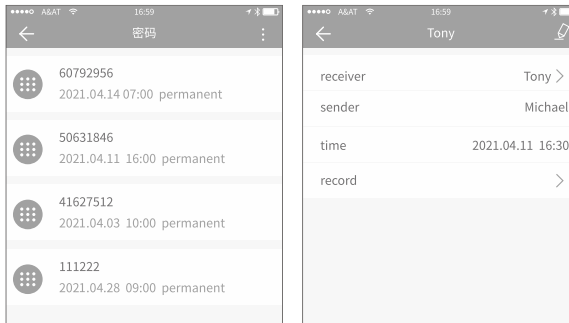
a User management

The user name and phone number can be seen in the user list. Click the customer you want to view to get the door lock information.



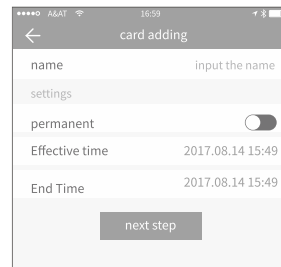
i Passcode management

All generated passcodes can be viewed and managed in the password management module. This includes the right of changing the password, deleting the password, resetting the password, and unlocking the password.

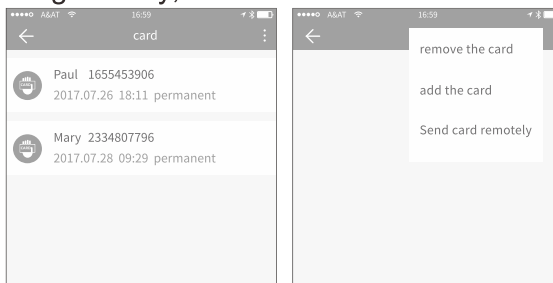


G Card management (Fingerprint management is similar to IC card management)

You need to add the RFID card first. The whole process needs to be done via the app beside the lock. The validity period of the IC card can be set, either permanent or time-limited.

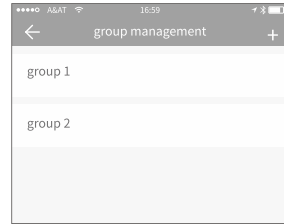


All RFID cards can be queried and managed through the RFID card management module. The remote card issuance function is displayed in the case of a gateway. If there is no gateway, the item is hidden.




b Key groups management

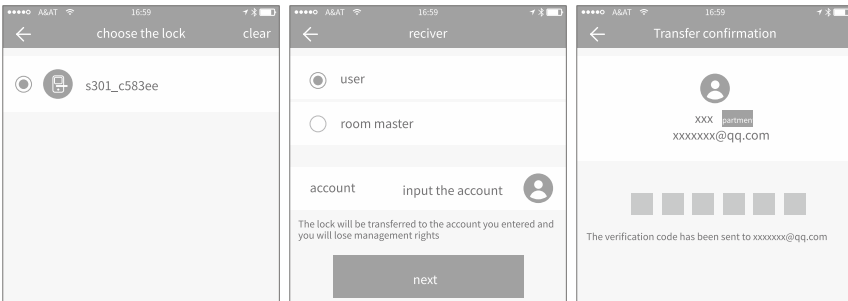
In the case of a large number of keys, you can use group management module.



c Transfer admin rights

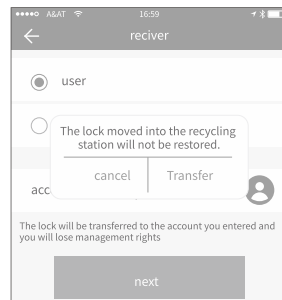
The administrator can transfer the lock to other users or to the apartment(Room Master user). Only the account that manages the lock has the right to transfer the lock. After inputting the account, you will receive a verification code. Filling in the correct number, you will transfer successfully.

 The account of the apartment transfer receive must be the administrator account.

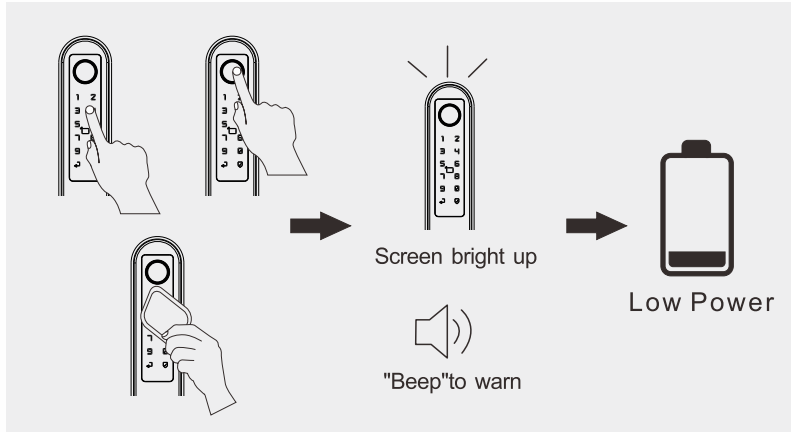


d Lock recycling station

If the lock is damaged and cannot be deleted, the lock can be deleted by moving it into the recycling station.



Low Power



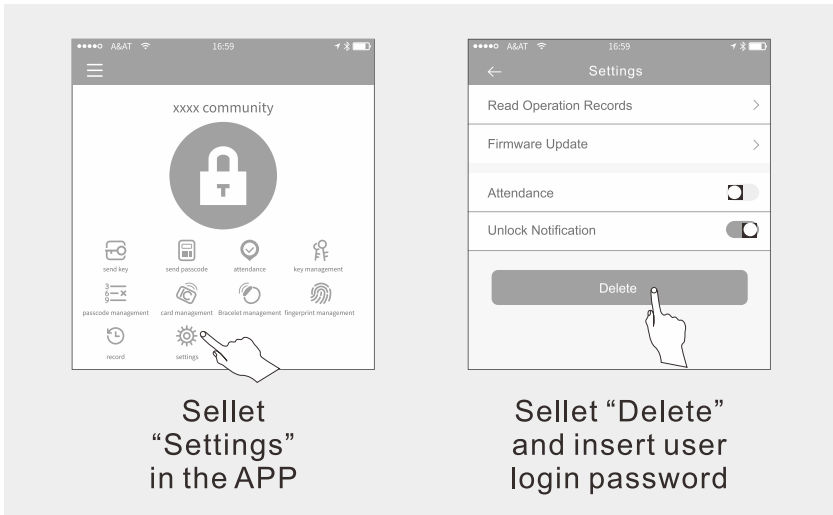
The screen bright up and "Beep"to warn batteries low power when the smart lock is opening.

Factory Default Settings

Settings	Factory Default
Master Code	123456
Auto Lock	Disabled
Silent Mode	Disabled
Wrong Code Entry Limit	5 times
Shutdown Time	5 mins

Restore Factory Settings

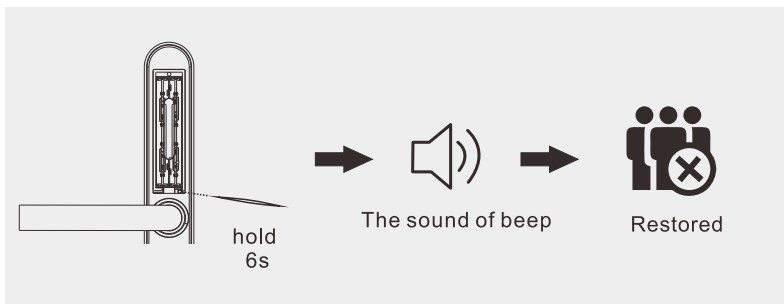
Restore on APP



Restore on lock

1. Press and hold the Reset button.
2. Keep holding the Reset button for 6 seconds, until you hear the sound of beep.

Note: This operation IC wired and battery need to be installed. This button is behind the Keypad panel.



Troubleshooting

The turnpiece cannot rotate or operate the lock.

Remove and re-install the lock, making sure that the turnpiece is in right position.

The lock cannot be locked or unlocked by the keypad.

Make sure that the codes are not disabled. If needed, restore the lock's default settings.

The keypad doesn't respond when touched (no light and no sound of "beeping") .

Make sure the cables are properly connected, and make sure the batteries are new and installed correctly.

I forgot my Master Codes.

Perform a reset in order to erase all passcodes. Once the reset is complete, all passcodes will be erased and the Master code will return to the default value (123456) .

The lock cannot connect APP via bluetooth

Please make sure the bluetooth is on the phone and in the lock. If needed, restore the lock's default setting.

Repeated to unlock the door failed

It is recommended to take out the key to open the door or contact customer service.

