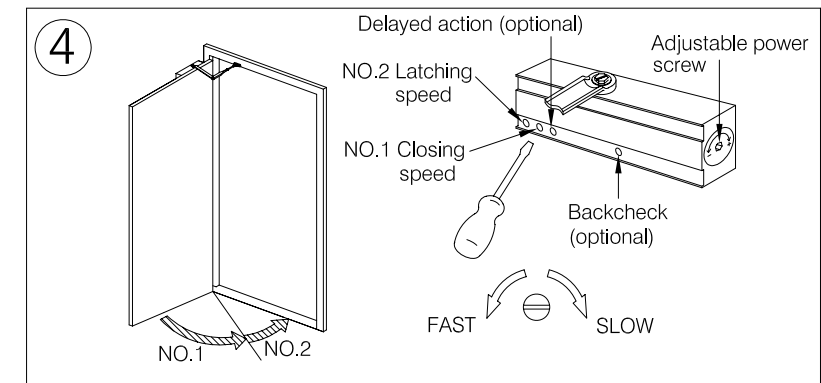
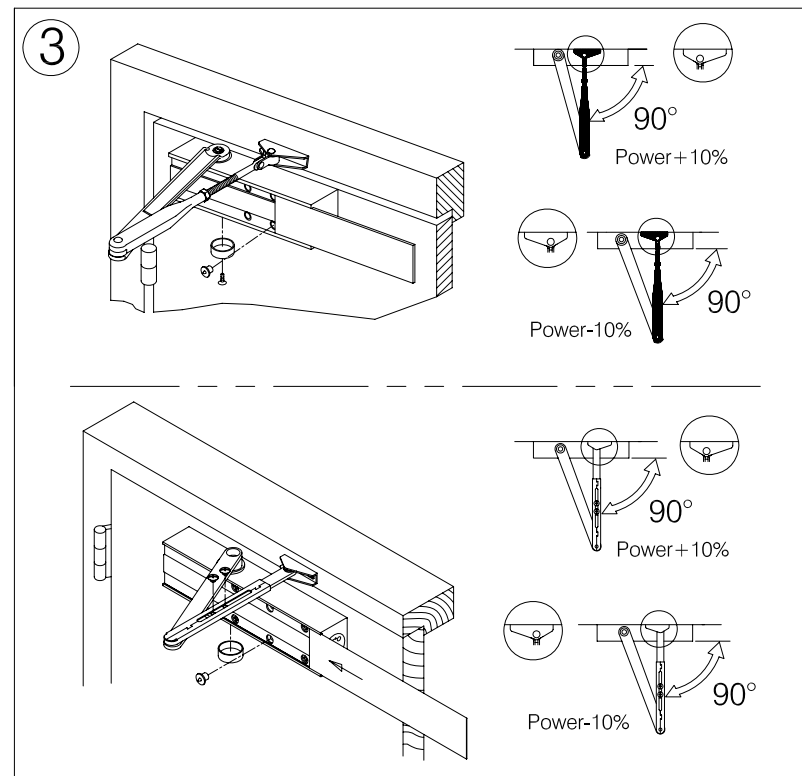
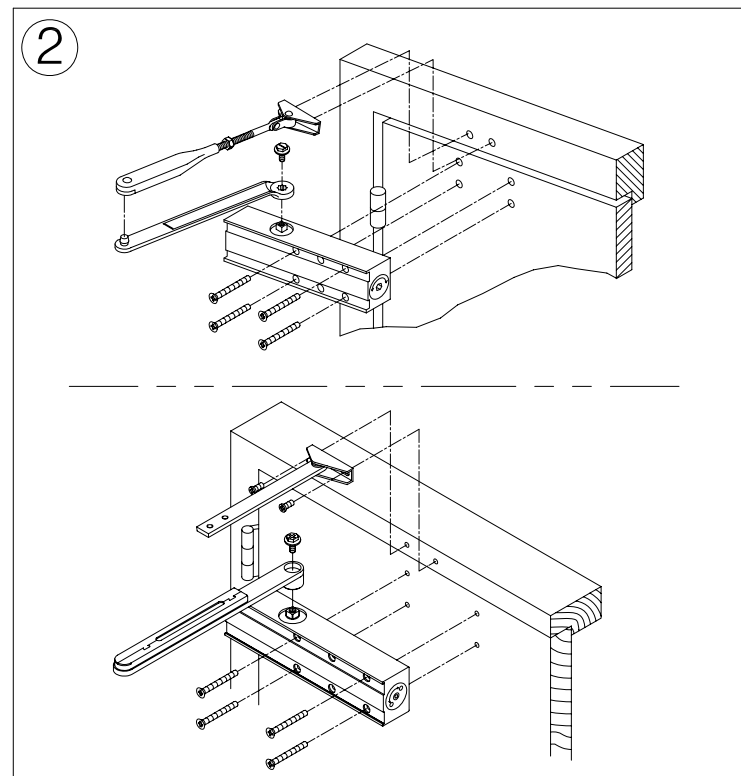
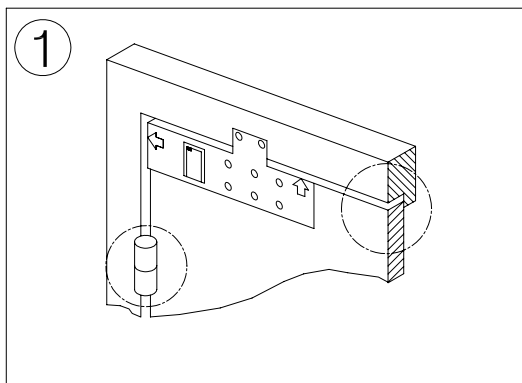
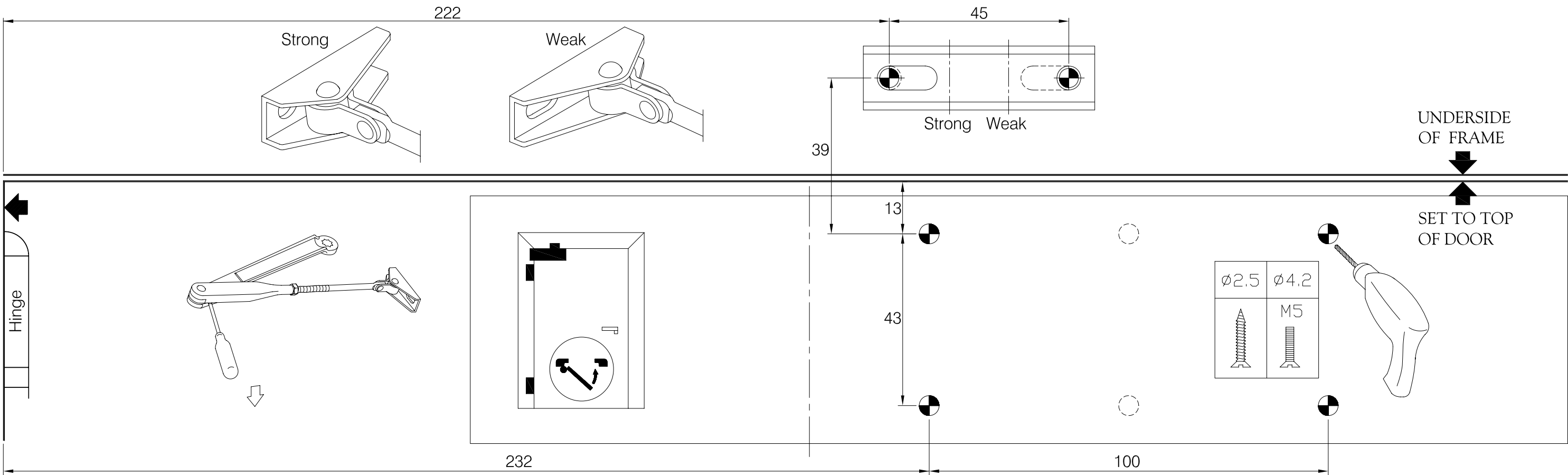


SPRING POWER ADJUSTMENT

ADJUST CLOSER SIZE ACCORDING TO CHART ON THE RIGHT
 CC : COUNTERCLOCKWISE
 C : CLOCKWISE
 * : FACTORY PRE-SET

836 3-6 MODEL (STRONG)			836 2-5 MODEL (WEAK)		
NO.OF TURNS	DIRECTION	SIZE	NO.OF TURNS	DIRECTION	SIZE
5	CC	3	5	CC	2
*0	-	4	*0	-	3
3	C	5	3	C	4
8	C	6	8	C	5

**Monteringsvejledning
60083**



SPRING POWER ADJUSTMENT

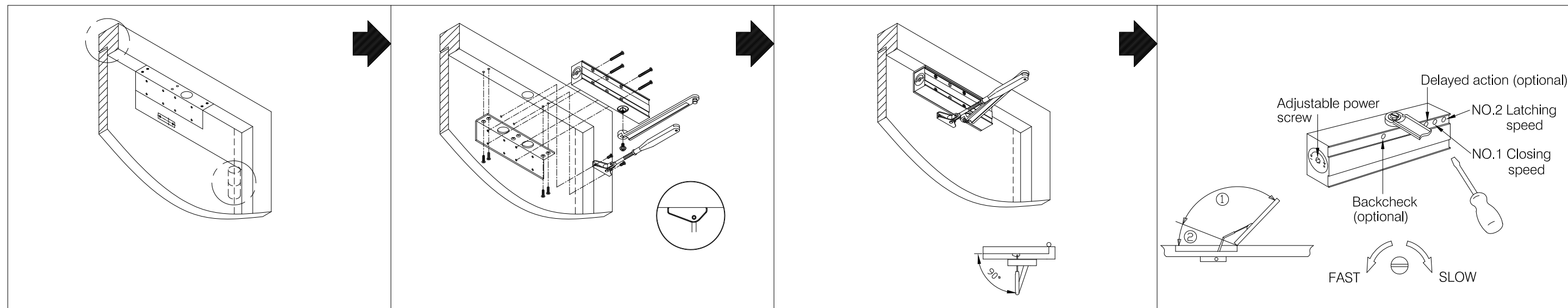
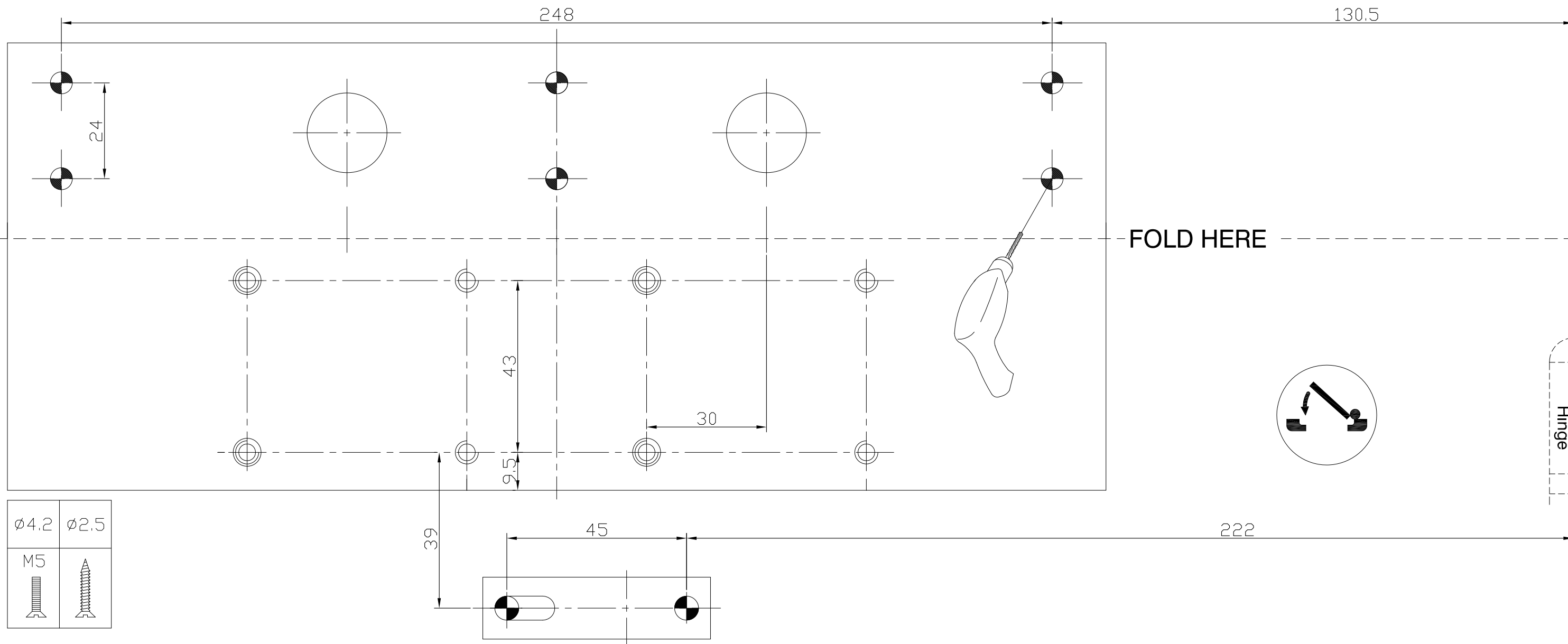
ADJUST CLOSER SIZE ACCORDING TO CHART ON THE RIGHT

CC : COUNTERCLOCKWISE

C : CLOCKWISE

* : FACTORY PRE-SET

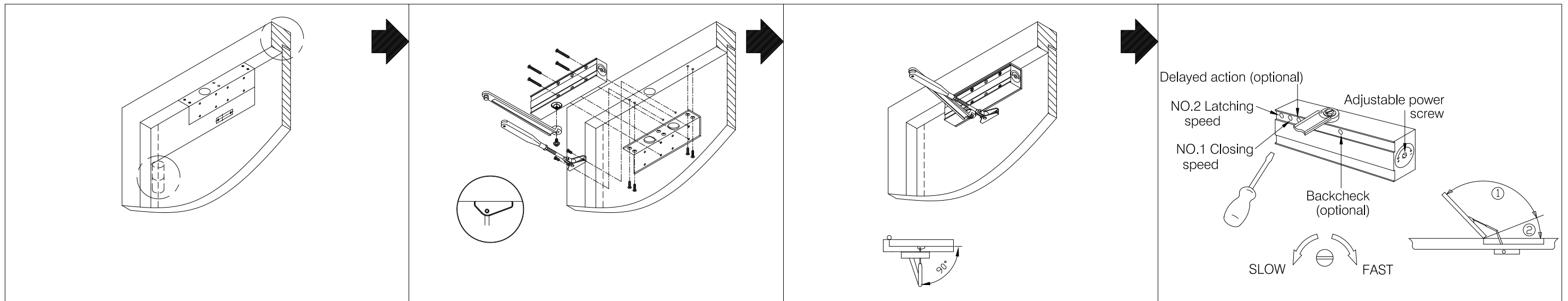
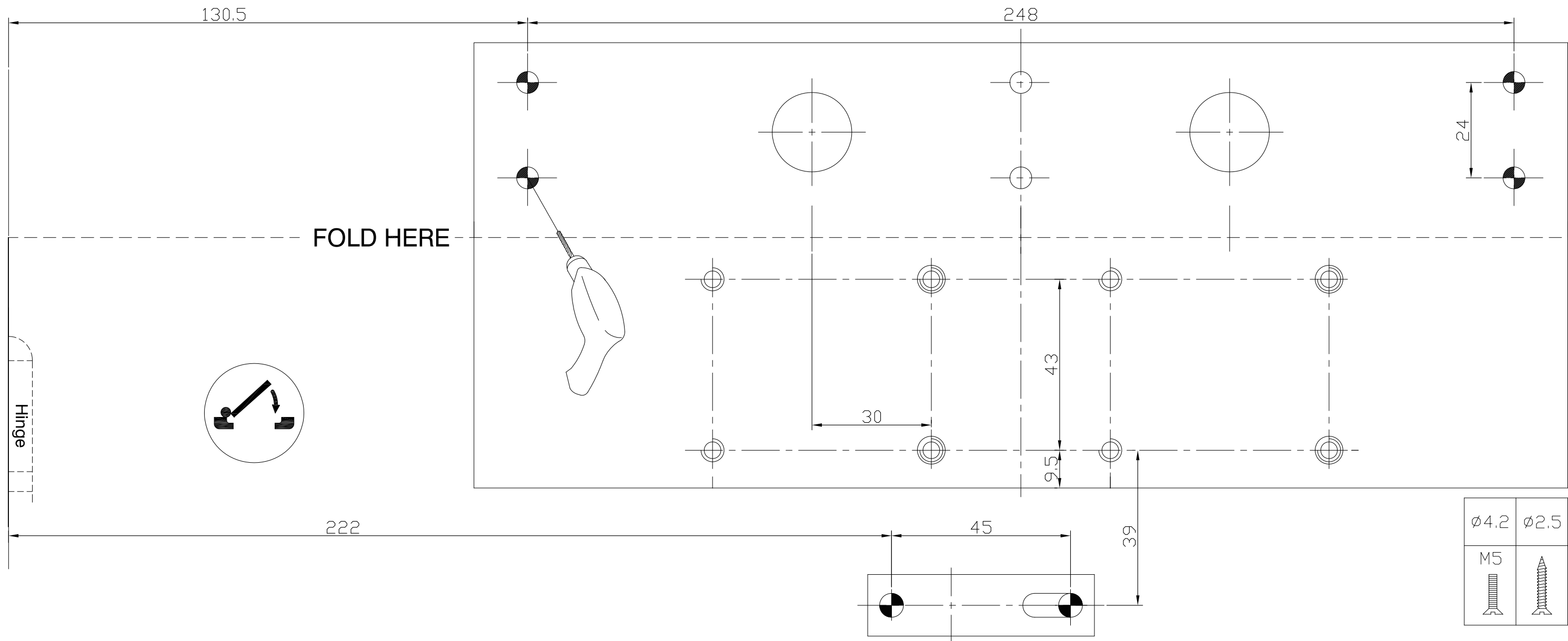
836 3-6 MODEL (STRONG)			836 2-5 MODEL (WEAK)		
NO.OF TURNS	DIRECTION	SIZE	NO.OF TURNS	DIRECTION	SIZE
5	CC	3	5	CC	2
*0	-	4	*0	-	3
3	C	5	3	C	4
8	C	6	8	C	5



SPRING POWER ADJUSTMENT

ADJUST CLOSER SIZE ACCORDING TO CHART ON THE RIGHT
 CC : COUNTERCLOCKWISE
 C : CLOCKWISE
 * : FACTORY PRE-SET

836 3-6 MODEL (STRONG)			836 2-5 MODEL (WEAK)		
NO.OF TURNS	DIRECTION	SIZE	NO.OF TURNS	DIRECTION	SIZE
5	CC	3	5	CC	2
*0	-	4	*0	-	3
3	C	5	3	C	4
8	C	6	8	C	5



SPRING POWER ADJUSTMENT

ADJUST CLOSER SIZE ACCORDING TO CHART ON THE RIGHT

CC : COUNTERCLOCKWISE

C : CLOCKWISE

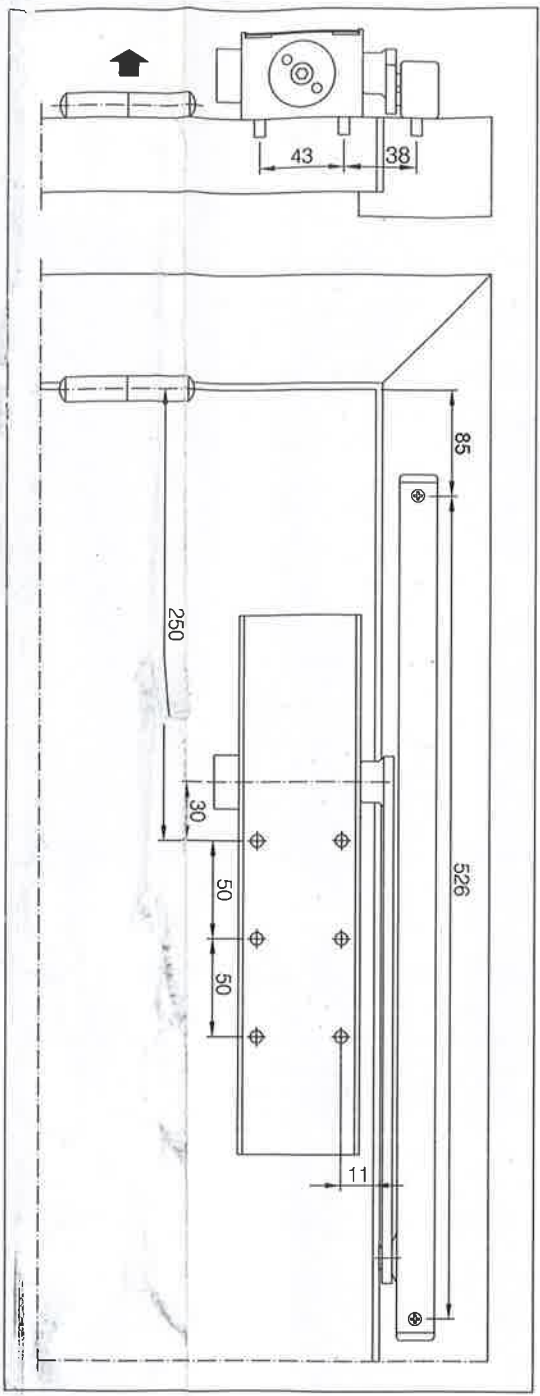
* : FACTORY PRE-SET

836 3-6 MODEL (STRONG)			836 2-5 MODEL (WEAK)		
NO.OF TURNS	DIRECTION	SIZE	NO.OF TURNS	DIRECTION	SIZE
5	CC	3	5	CC	2
*0	-	4	*0	-	3
3	C	5	3	C	4
8	C	6	8	C	5

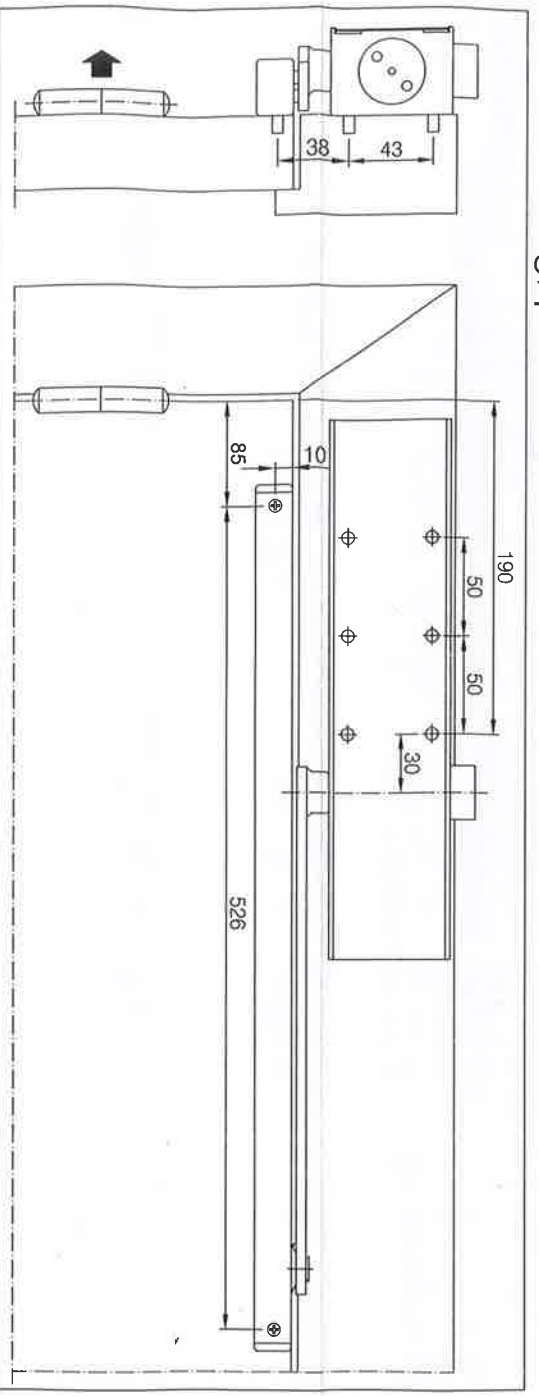
51-7

Door leaf fixing, pull side

60083



Transom fixing, pull side



Door leaf fixing, push side

